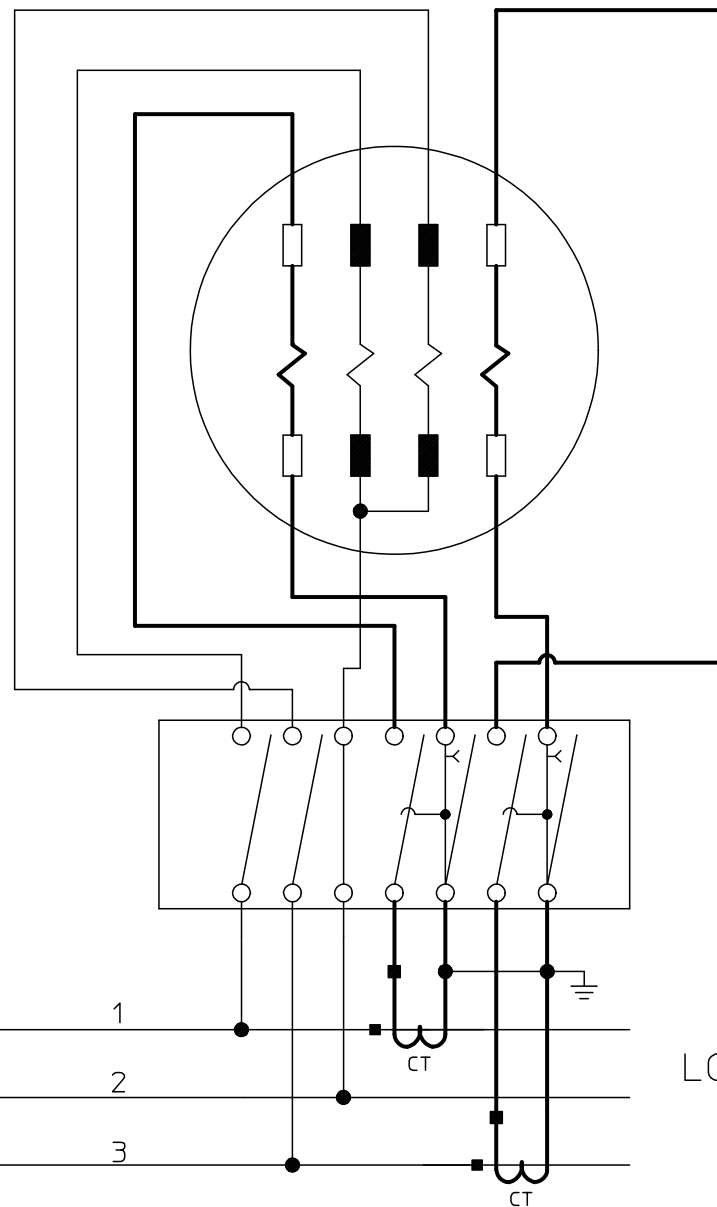
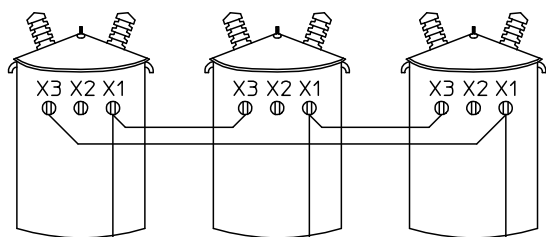
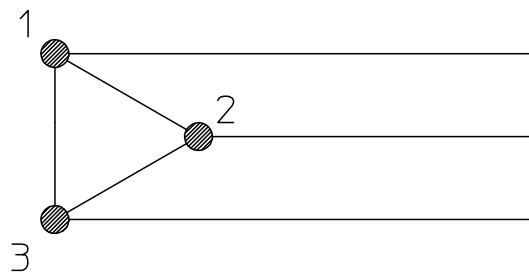


3Ø3W DELTA WITH 2 CT'S
2 STATOR METER - FORM 5S
8T SOCKET



LOAD